

FRANCO

MANUAL

UX

**CIRCULATOR
HUMIDIFIER**

E N G L I S H

This manual must be carefully read before installing
and running the unit.



Present instructions must be carefully read before installing and running the unit.

WARNING SYMBOLS IN THE MANUAL



Warning



Electrical warnings

CAUTION!

Calls attention to a potential risk to personal safety

The present manual provides both the installers and users of the UX circulator humidifier all the necessary information for installation, correct use and maintenance of the same.

All these operations must be undertaken in accordance with current regulations in force as concerns machine use.



Declaration Of Conformity Ce

The manufacturer FRANCO srl
Via Nazionale, N°80 – 12010 Cervasca (CN) Italia,
declares herewith that the models:

UX56-T / UX56-M / UX71-TT / UX71-TS

Comply with the safety requirements as prescribed in the Directive Machinery 89/392/EEC and subsequent modifications 91/368/EEC, 93/44/EEC, 93/68/EEC.
The harmonizing reference rules for the declaration are:
EN 292-1, EN 292-2, EN 294, EN 60204-1.

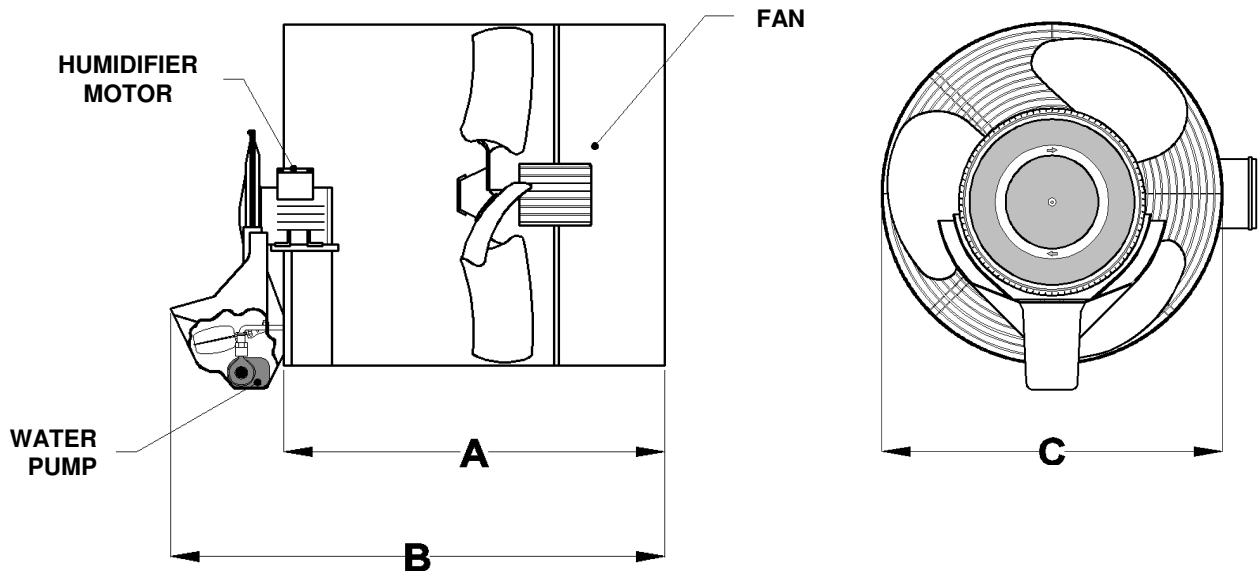
Firma:

Titolo: Amministratore

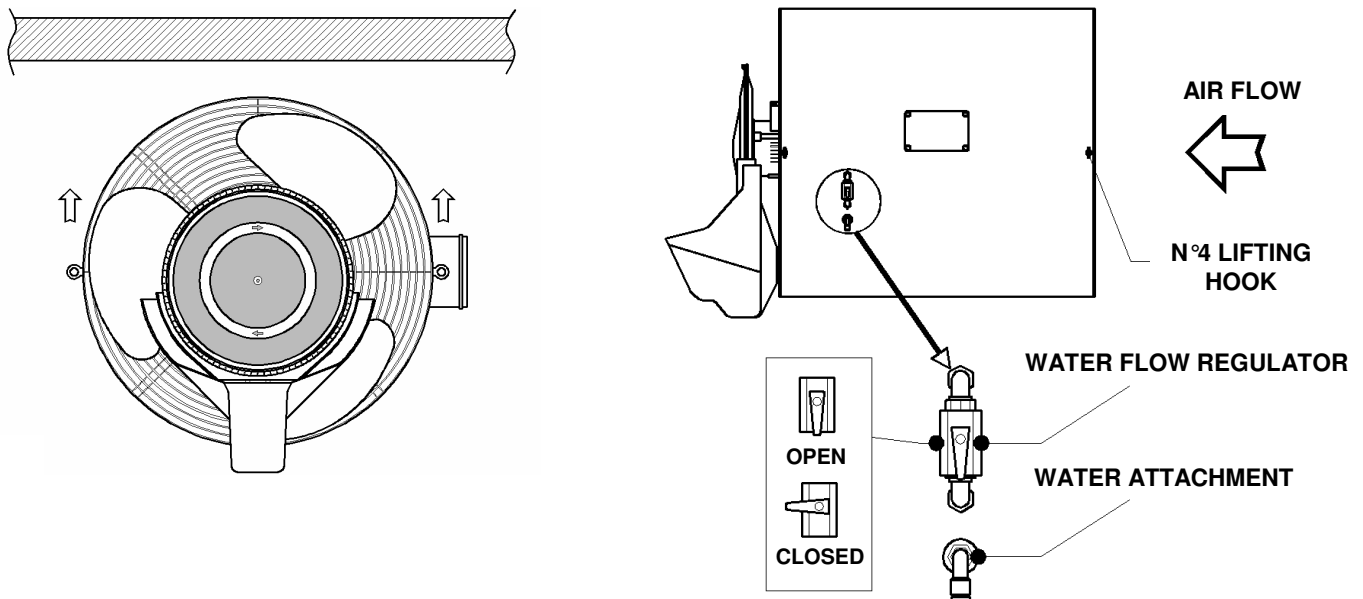
Data: 29/09/2005

TECHNICAL CARD

Model		UX56-T	UX56-M	UX71-TT	UX71-TS
General data					
Air Flow	m ³ /h	6.500	6.500	10.500	14.500
Atomization Capacity	lt/h	15 - 60	15 - 60	15 - 60	15 - 60
A	Ømm	564	564	715	715
B	mm	600	600	800	800
C	mm	800	800	1060	1060
Weight	kg	28	28	48	48
Humidifier Motor					
Power	kW	0.30	0.30	0.30	0.30
Voltage	Vac	400	230	400	400
Current	A	0.5	1.4	0.5	0.5
Speed	rpm	2820	2900	2820	2820
Pump					
Power	W	14	14	14	14
Voltage	Vac	230	230	230	230
Fan Motor					
Power	kW	0.42	0.39	0.69	1.10
Voltage	Vac	400	230	400	400
Current	A	1.05	2.0	1.4	2.4
Speed	rpm	890	865	670	900



INSTALLATION



CAUTION! Stick to safety distance according to DIN EN 294 – 4, 4.1, 4.2
 If not equipped by protection guard, the UCP humidifier may only be used when installed at a height not less than 2.7m from the ground level.

Installation must be undertaken by specialized, experienced and trained technicians, in accordance with current legislation.

For installation ensure the use of fixture elements suited to the machine weight.

IMPORTANT

- Check the correct direction of the air flow
- Check the rotation sense of the centrifugal device
- Limit water flow rate by means of special flow regulator (see page 2) in order to ensure proper atomisation and avoid any large drops carry on from the rotating disc.
- **N.B.** An excessive quantity of water will cause an increase in the dimensions of the drops.
- The pump must not run dry
- The centrifugator disk rotation is 2820 rpm

This unit can only be operated for the purpose it has been designed



All other uses are to be considered improper and therefore dangerous.

ELECTRICAL CONNECTION

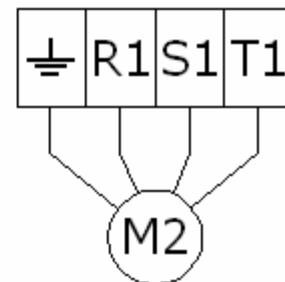
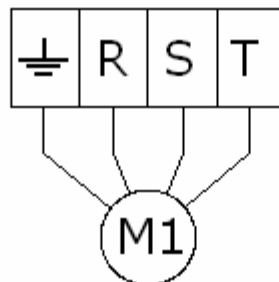
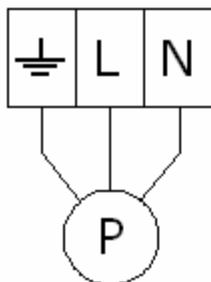
Electrical connections must be undertaken by specialized, experienced and trained technicians, in accordance with current legislation.

- Ensure that the electricity supply specifications correspond to those indicated in the table (see page 3)
- Make sure the ground wire is connected to an efficient ground line.
- We recommend that all electrical devices, should be connected to power supplies with ground connected circuit breakers.



A separated ground clip is present into the electrical box.
Ensure that a good ground connection is installed.

ATTENZIONE! Ensure that all the connections on the electric box are seated, the rubber packing is fixed and the box screws are in, to guarantee the right protection grade.



MAINTENANCE

Maintenance operations must be undertaken by specialized, experienced and trained technicians, in accordance with current legislation.

The maintenance personnel must carefully comply with the relative accident prevention regulations currently in force.



Before Undertaking Any Maintenance The **Ucp** Humidifier Must Be disconnected From The Electricity Supply

PERIODIC MAINTENANCE:

- Check that the quantity of water that reaches the centrifugal device is correct, using the flow regulator if necessary
- Clean the pump with warm water and with the help of a small brush.
- Clean the fan, internal router ring, and the motor housing (do not direct any water jet directly or indirectly on the motor!)

Franco s.r.l. will not assume liability in case of:

- Installation and maintenance of **UX** humidifier is not undertaken by competent and authorized personnel.
- Use contrary to the specific national legislation.
- Use of non-original spares.
- Power supply defects.
- Removal of the safety guards.
- Total or partial non-observance of instructions.
- Modifications made to the **UX**
- Negligence.

MANUFACTURER

FRANCO s.r.l.

Via Nazionale N°80 – 12010 CERVASCA (CUNEO) Italy

Tel. (0039) 0171 611663 – **Fax** (0039) 0171 612337

www.francosrl.com

info@francosrl.com

FRANCO s.r.l.

Via Nazionale n.80 - 12010 - CERVASCA (CUNEO) Italy

Tel. (+39) 0171 611663 – **Fax** (+39) 0171 612337

www.francosrl.com

info@francosrl.com