

***FRANCO***

***MANUAL***

**UCP-fly**

**COOLER  
HUMIDIFIER**

**E N G L I S H**

This manual must be carefully read before installing  
and running the unit.



**Present instructions must be carefully read  
before installing and running the unit.**

### WARNING SYMBOLS IN THE MANUAL



Warning



Electrical warning

**CAUTION!**

Calls attention to a potential risk to personal safety

The present manual provides both the installers and users of the UCP-fly humidifier / cooler all the necessary information for installation, correct use and maintenance of the same.

All these operations must be undertaken in accordance with current regulations in force as concerns machine use.



### Declaration Of Conformity CE

The manufacturer FRANCO srl  
Via Nazionale, N°80 – 12010 Cervasca (CN) Italia,  
declares herewith that the models:

### UCP-fly H20; UCP-fly H25

Comply with the safety requirements as prescribed in the Directive Machinery 89/392/EEC and subsequent modifications 91/368/EEC, 93/44/EEC, 93/68/EEC.

The harmonizing reference rules for the declaration are:  
EN 292-1, EN 292-2, EN 294, EN 60204-1.

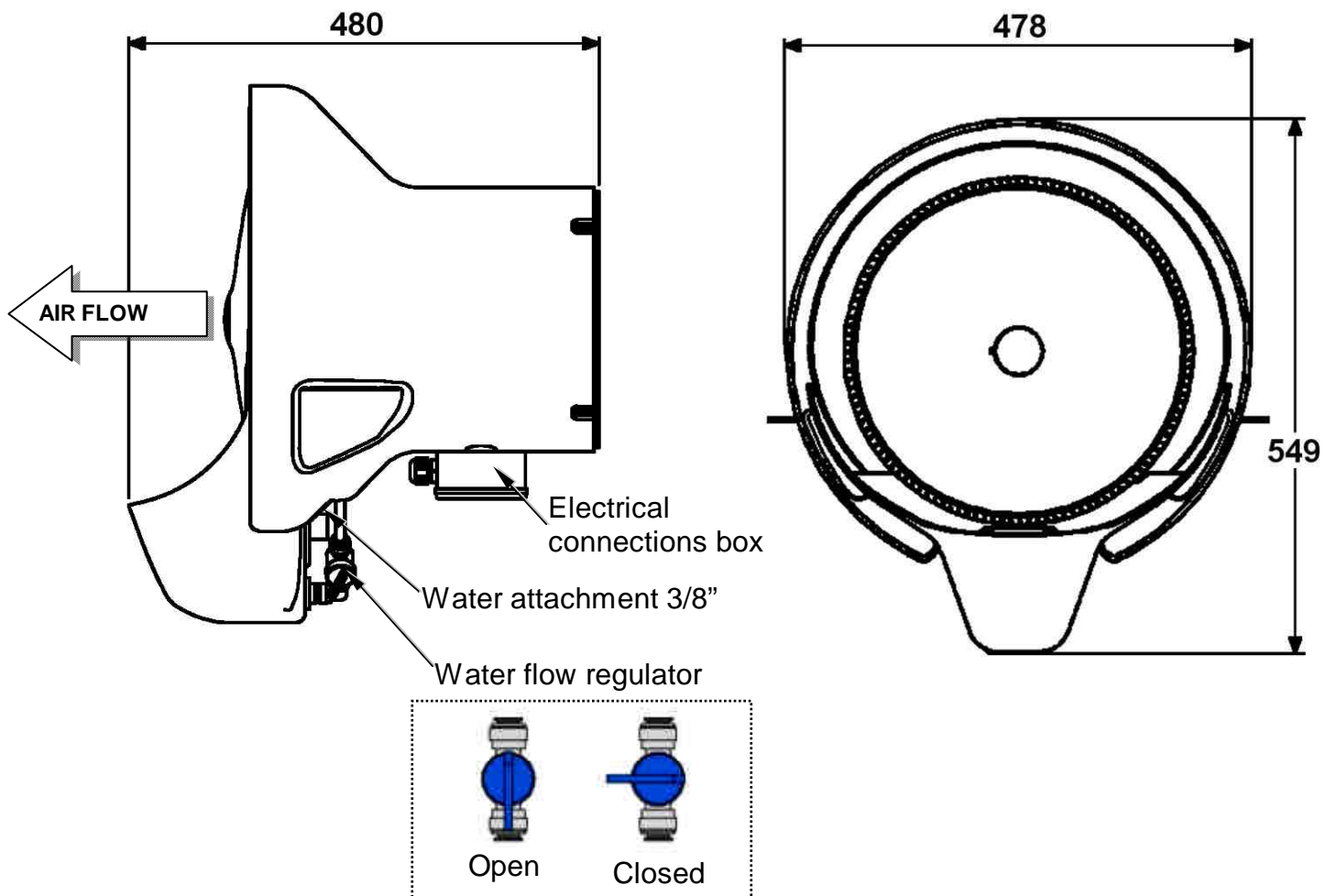
**Firma:**

**Title: Administrator**

**Date: 09/02/2009**

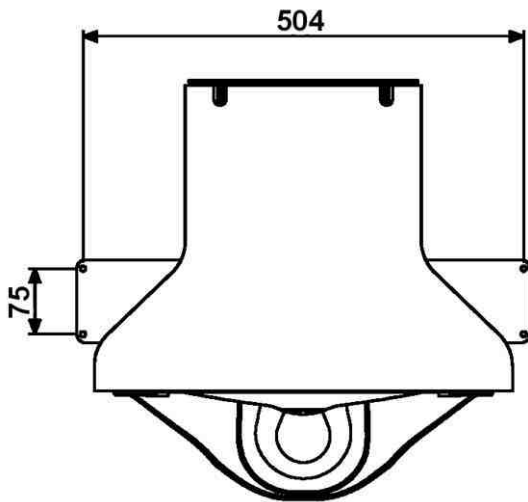
**TECHNICAL CHARACTERISTICS**

General characteristics			
		H25	H20
Atomization capacity	lt/h	15 - 60	15 - 60
Electrical supply		Single phase	Single phase
Weight	kg	10	10
Air flow	m <sup>3</sup> /h	1.800	1.100
Electrical characteristics			
<i>Humidifier-fan motor</i>			
Power	W	420	390
Voltage	V	230	230
Current	A	2,05	1,9
Frequency	Hz	50	50
<i>Pump motor</i>			
Power	W	14	14
Voltage	V	230	230
Frequency	Hz	50	50

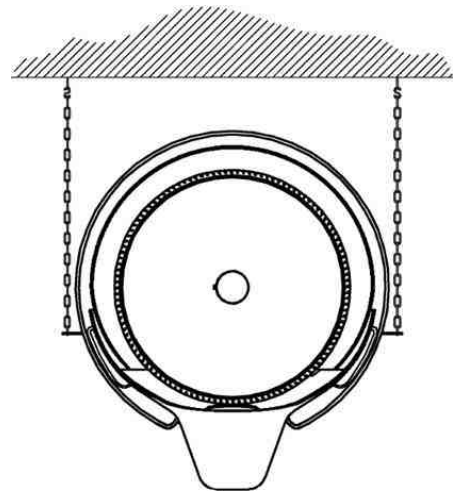




## INSTALLATION



Fixing holes position



Ceiling mounting example

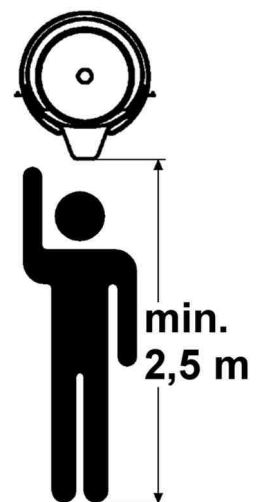
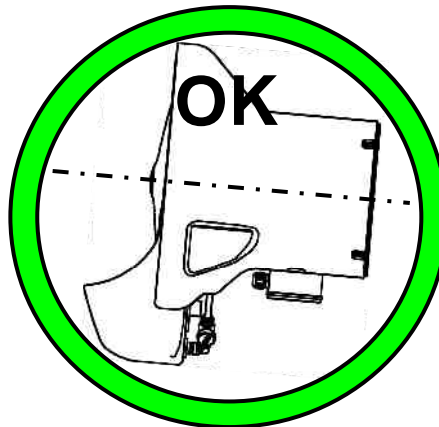
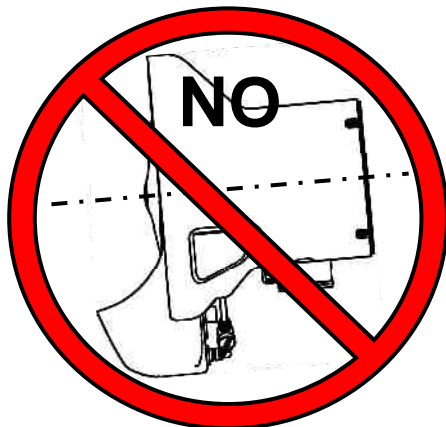
**CAUTION !**

**Stick to safety distance according to DIN EN 294 – 4, 4.1, 4.2  
The UCP fly may only be used when installed at a height  
not less than 2,5m from the ground level.**

Use holes in the special supports to suspend or rest the UCP-fly (holes distances are reported below). The machine must be installed a little bit tilted up.

Installation must be undertaken by specialized, experienced and trained technicians, in accordance with current legislation.

For installation ensure the use of fixture elements suited to the machine weight.



## AVVERTENZE

- Check the correct direction of the air flow
- Check the rotation sense of the centrifugal device
- Limit water flow rate by means of special flow regulator in order to ensure proper atomisation and avoid any large drops carry on from the rotating disc.  
**N.B.** An excessive quantity of water will cause an increase in the dimensions of the drops.
- The pump must not run dry
- The centrifugator disk rotation is **2820 rpm**



**This unit can only be operated for the purpose it has been designed  
All other uses are to be considered improper and therefore dangerous.**

## ELECTRICAL CONNECTION



*Electrical connections must be undertaken by specialized, experienced and trained technicians, in accordance with current legislation.*

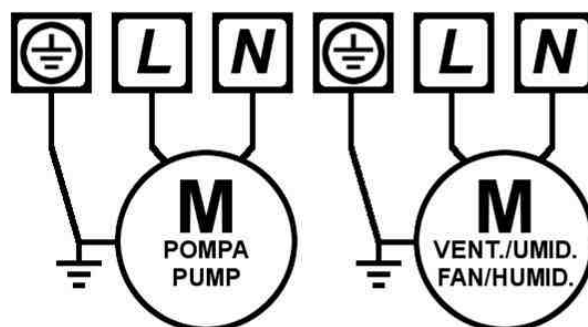
- Ensure that the electricity supply specifications correspond to those indicated in the table (see page 3)
- Make sure the ground wire is connected to an efficient ground line.
- We recommend that all electrical devices, should be connected to power supplies with ground connected circuit breakers.



A separated ground clip is present into the electrical box. Ensure that a good ground connection is installed.

### ATTENZIONE!



ensure that all the connections on the electric box are seated, the rubber packing is fixed and the box screws are in, to guarantee the right protection grade.



## IDENTIFICAZIONE

On the side of the **UCP-fly** is applied a data label with the machine's main characteristics, model, construction year and serial number.

Don't remove the label, if it is unreadable, ask for its substitution.

<b>MODEL : UCP-fly H20</b>		<b>FRANCO</b>
<b>Capacità di atomizzazione: ...15~60 lt/h</b> <i>Heating Power</i>		
<b>Portata d'aria: .....1.100 m<sup>3</sup>/h</b> <i>Air Capacity</i>		
<hr/>		
<b>Alimentazione: .....230V 50Hz 1~+N</b> <i>Power Supply</i>		
<b>Potenza: .....390W</b> <i>Power</i>	<b>Assorbimento: .....1,9 A</b> <i>Current</i>	
<b>Anno di Costruzione: ...2009</b> <i>Construction Year</i>	<b>Serial Number:</b> <b>3108001/02-0</b>	
<hr/>		
<b>FRANCO s.r.l. – Cervasca (Italy)</b>		

## TRASPORTO E MOVIMENTAZIONE

The **UCP fly** humidifier/cooler may be raised and suspended using the relative brackets.

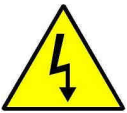
**CAUTION!** *Before shifting the appliance it is necessary to:*

- **Stop the machine,**
- **Disconnect the electric supply,**
- **Stop the water flow by closing an apposite valve and empty the tank.**
- **For the transport of the appliance you have to use a suitable lifting means, which can carry its weight. Slowly raise the unit and make sure that it does not fall. Move the belts in function of the centre of gravity.**

## MAINTENANCE

**Maintenance operations must be undertaken by specialized, experienced and trained technicians, in accordance with current legislation.**

The maintenance personnel must carefully comply with the relative accident prevention regulations currently in force.



before undertaking any maintenance the **UCP fly** humidifier/cooler must be disconnected from the electricity supply

### PERIODIC MAINTENANCE:

- Check that the quantity of water that reaches the centrifugal device is correct, using the flow regulator if necessary.
- Clean the pump with warm water and with the help of a small brush.
- Clean the fan, internal router ring, and the motor housing (do not direct any water jet directly or indirectly on the motor!).

### Franco s.r.l. will not assume liability in case of:

- Installation and maintenance of **UCP fly** humidifier/cooler is not undertaken by competent and authorized personnel.
- Use contrary to the specific national legislation.
- Use of non-original spares.
- Power supply defects.
- Removal of the safety guards.
- Total or partial non-observance of instructions.
- Modifications made to the **UCP fly** humidifier/cooler.
- Negligence.

## MANUFACTURER

**FRANCO s.r.l.**  
*establishment*

Via Nazionale N°80 – 12010 CERVASCA (CUNEO) Italy

Tel. (0039) 0171 611663 – Fax (0039) 0171 612337

[www.francosrl.com](http://www.francosrl.com)

[info@francosrl.com](mailto:info@francosrl.com)

**FRANCO** s.r.l.

Via Nazionale n.80 - 12010 - CERVASCA (CUNEO) Italy

**Tel.** (+39) 0171 611663 – **Fax** (+39) 0171 612337

**www.francosrl.com**

**info@francosrl.com**

ed. 02/2009 v1